

Speaker

Model: OSS45-32-10A1.5W8-C



ELECTRICAL SPECIFICATIONS

	Condition	Parameter	Unit
Sound Pressure Level	at 1W, 10cm [at 1.2, 1.5, 2.4, 3.0KHz]	101 ± 3	dB
Impedance	at 1V, 2000Hz	8 ± 15%	Ω
Rated Input Power		1.5	W
Max Input Power		2	W
Resonant Frequency (Fo)	at 1V	1300 ± 20%	Hz
Frequency Range		F0 ~ 7000	Hz
Buzzer & Rattles	not be audible at sine wave between F0 ~7KHz	3.46	V
Operating Temperature		-30 ~ 75	°C
Magnet		Nd-Fe-B	
Frame Material		Epoxy	
Cone Material		PEI	
Weight		15	g
Dustproof And Waterproof Level	IEC 529 edition 2.0 (1989)	IP67	

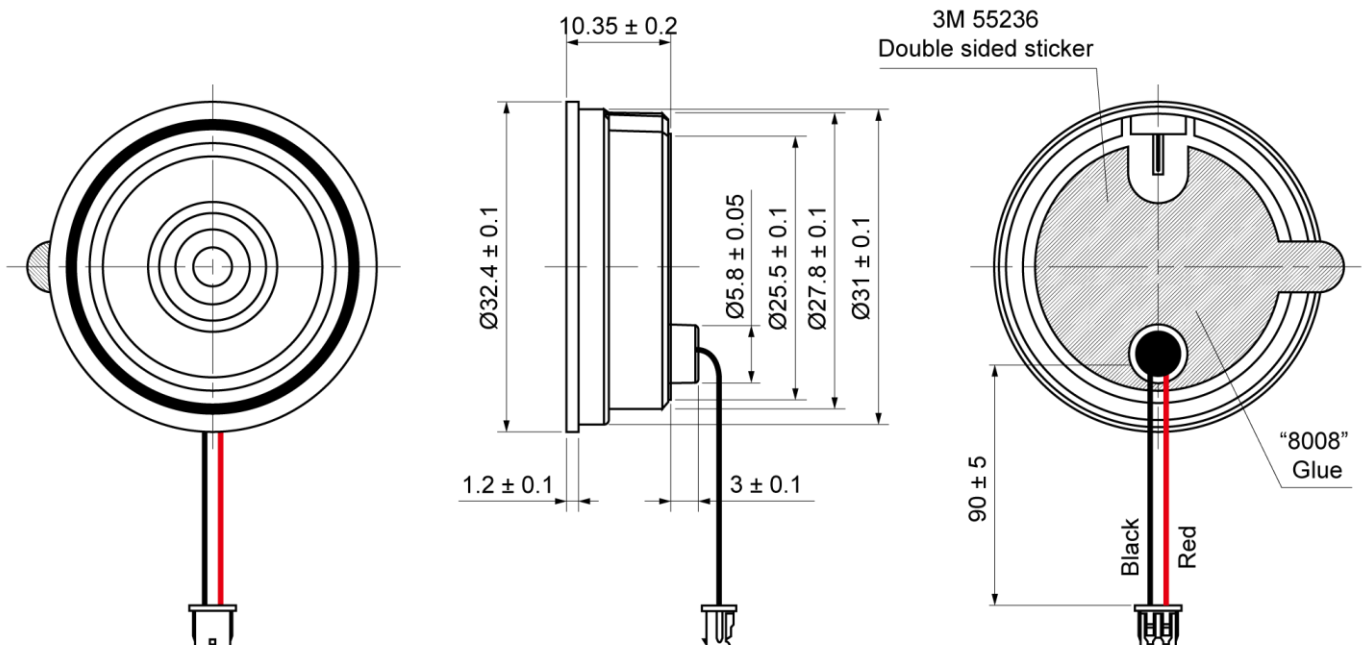
MECHANICAL DRAWING

Dimensions in mm

Wire: 90mm, UL1571, AWG#28

Tolerance ±0.5mm Except Specified

Connector: Molex 51021-0200



Speaker

Model: OSS45-32-10A1.5W8-C

FREQUENCY RESPONSE CURVE

